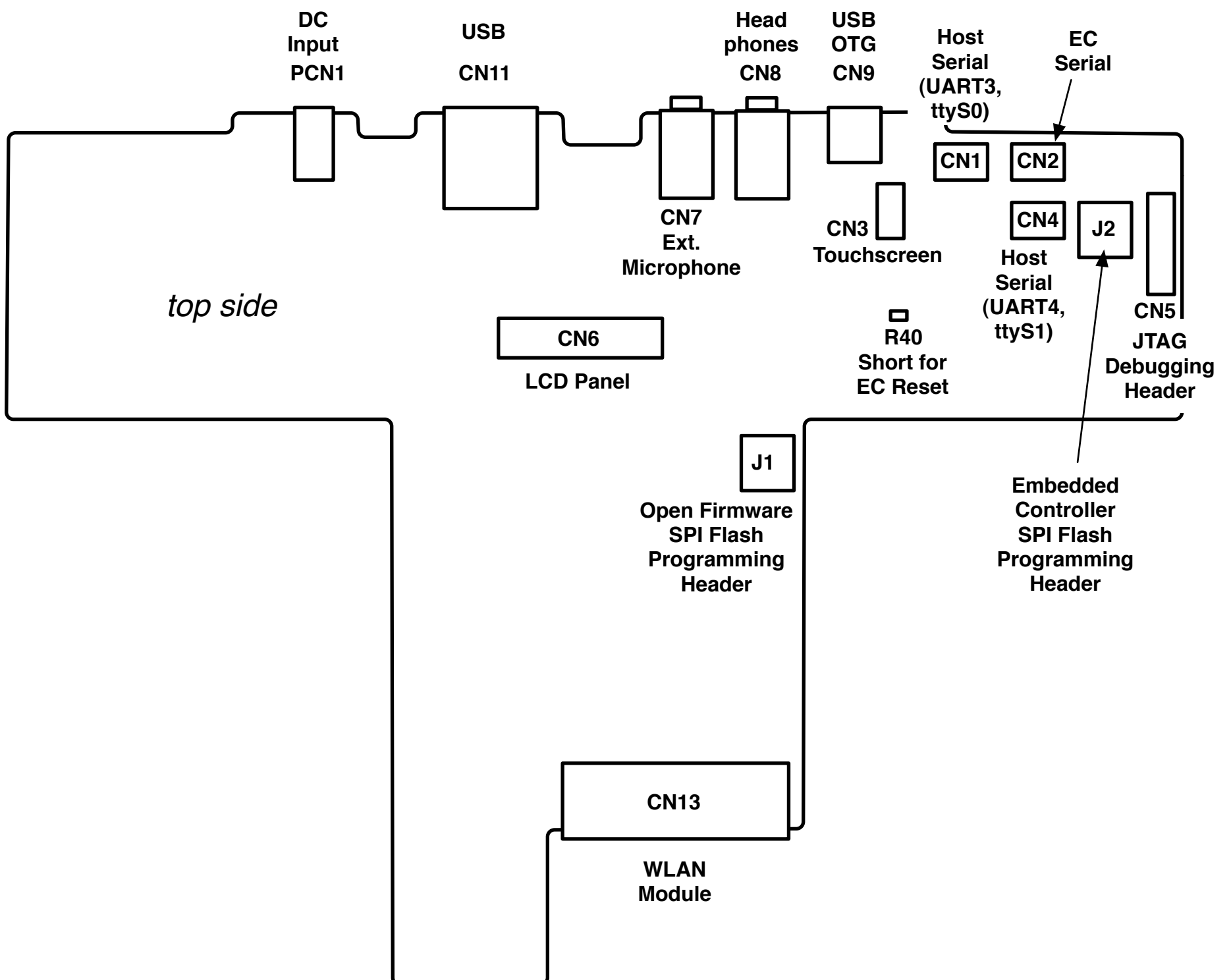
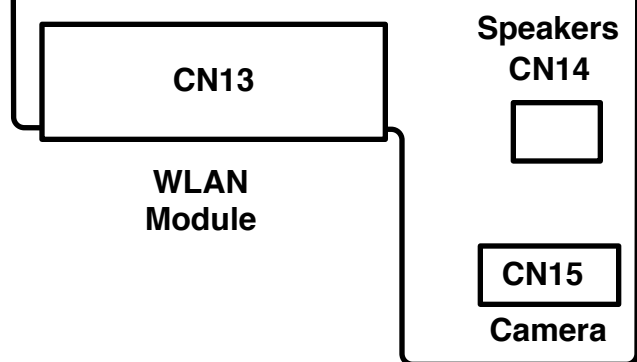


bottom side

**Connectors
OLPC XO-3**
A1 Prototype



top side