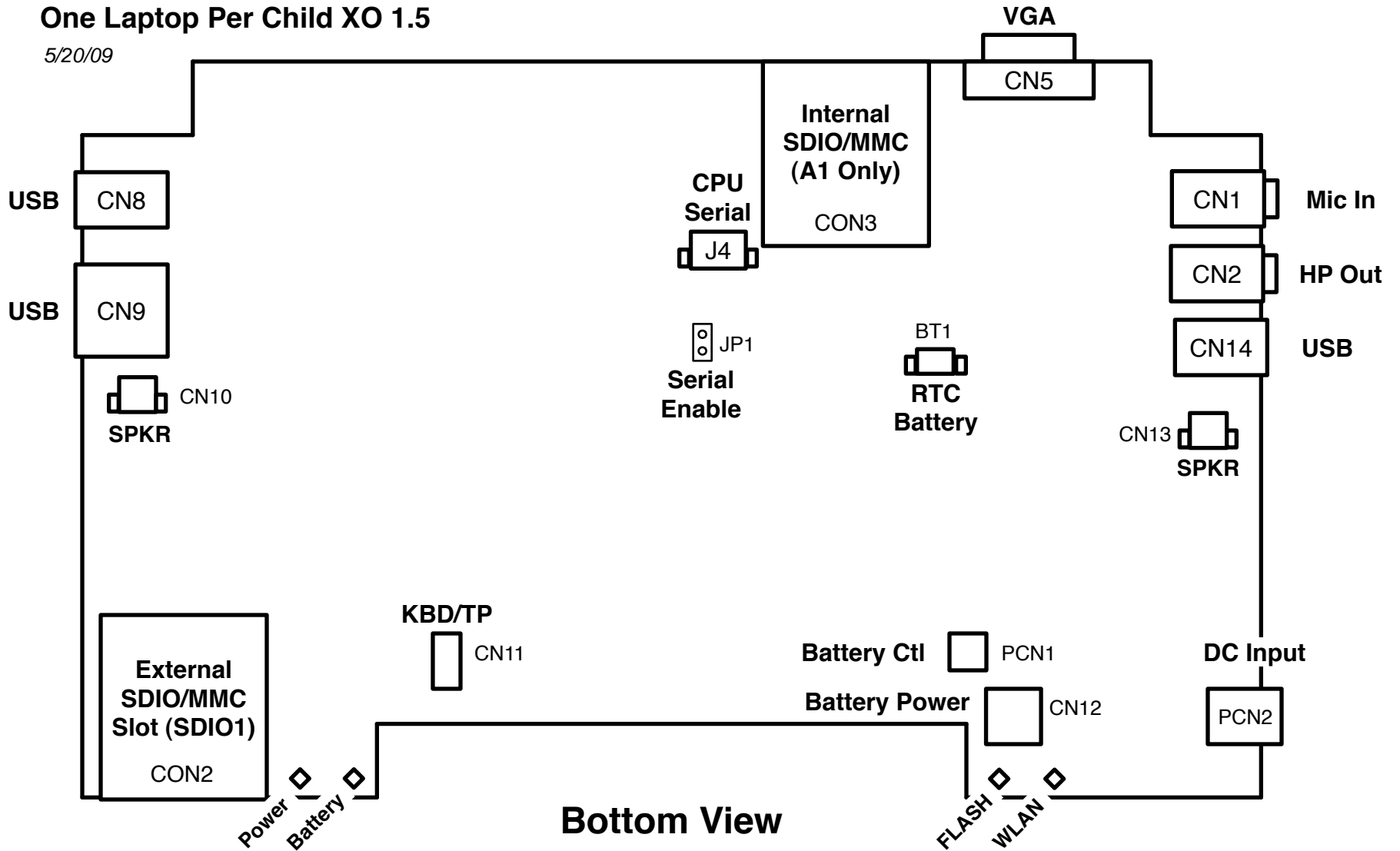


# Connectors and Jumpers One Laptop Per Child XO 1.5

5/20/09

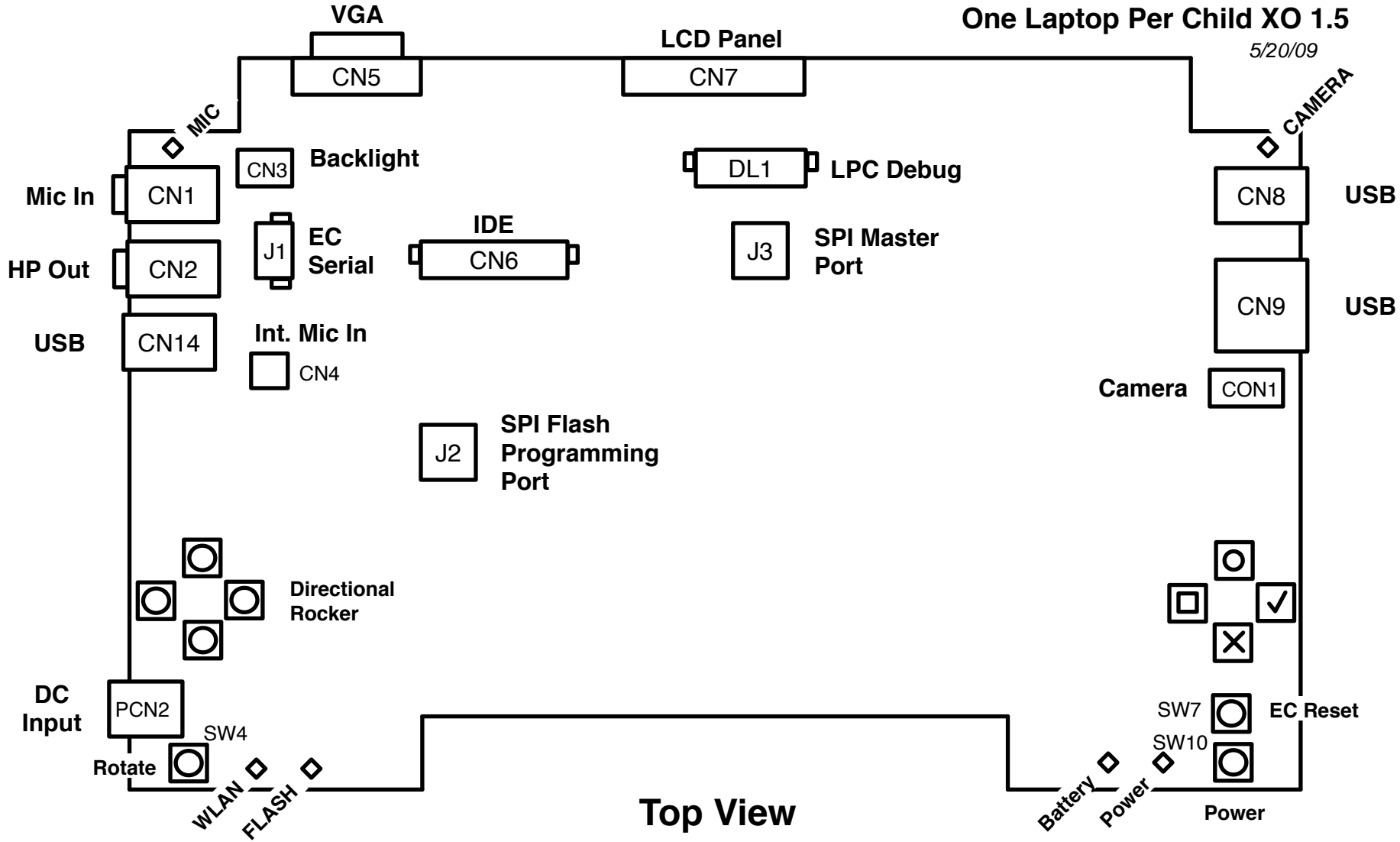


Bottom View

**A-phase (NOT PRODUCTION)**

**Connectors and Jumpers**  
**One Laptop Per Child XO 1.5**

5/20/09



**Top View**

***A-phase (NOT PRODUCTION)***