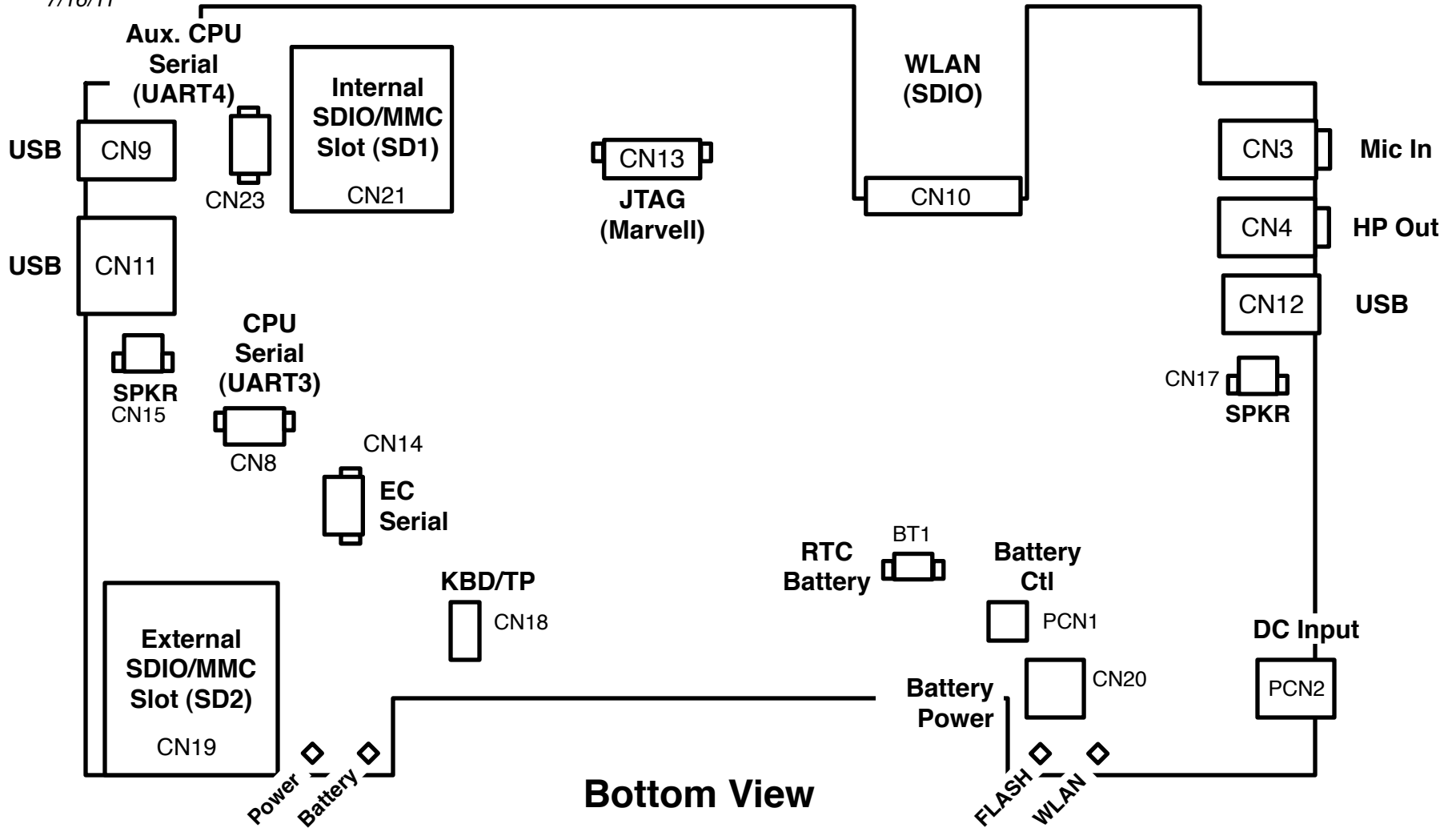


Connectors and Jumpers

One Laptop Per Child XO 1.75

7/16/11

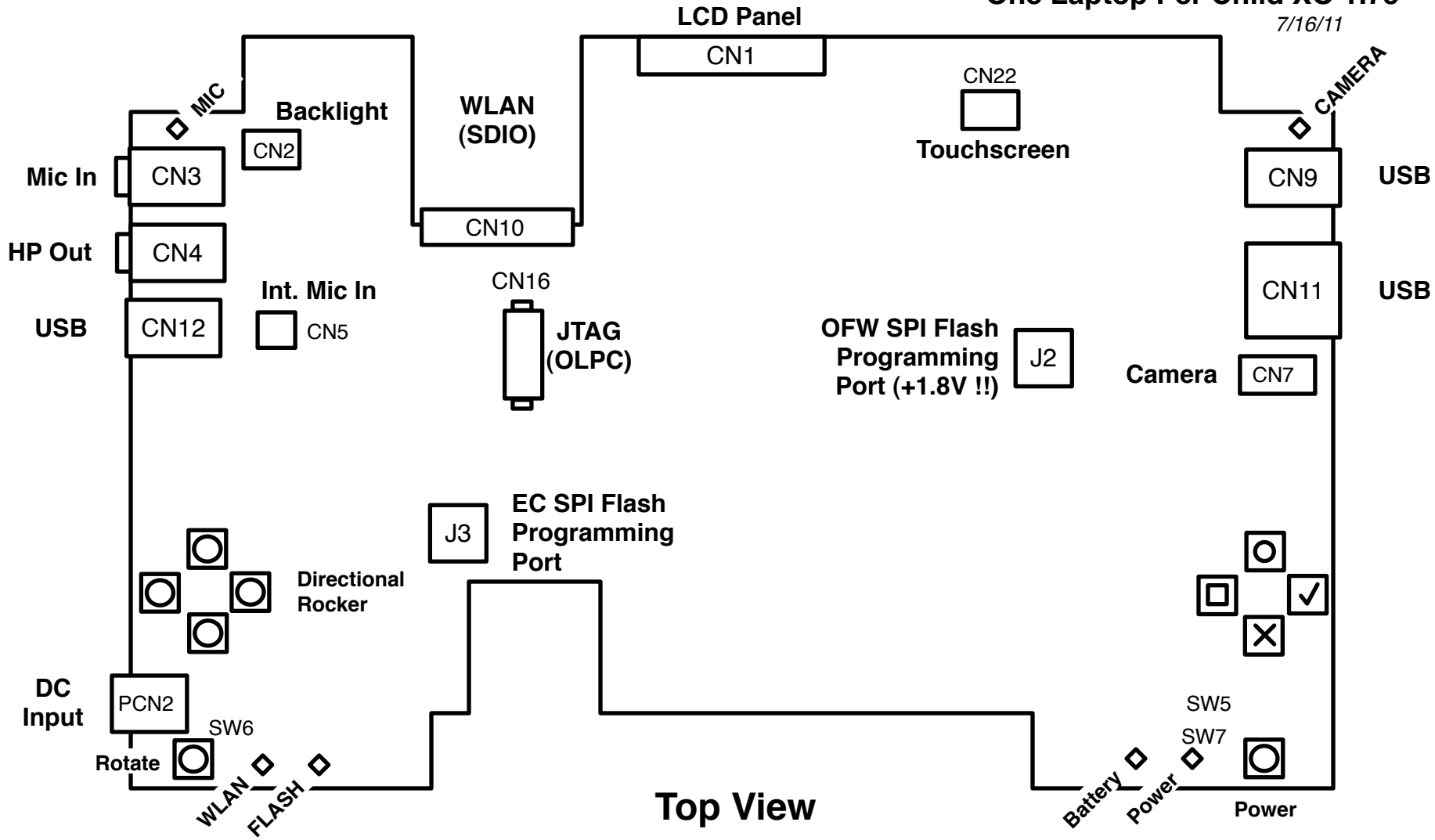


Bottom View

B1-phase (NOT PRODUCTION)

Connectors and Jumpers
One Laptop Per Child XO 1.75

7/16/11



Top View

B1-phase (NOT PRODUCTION)