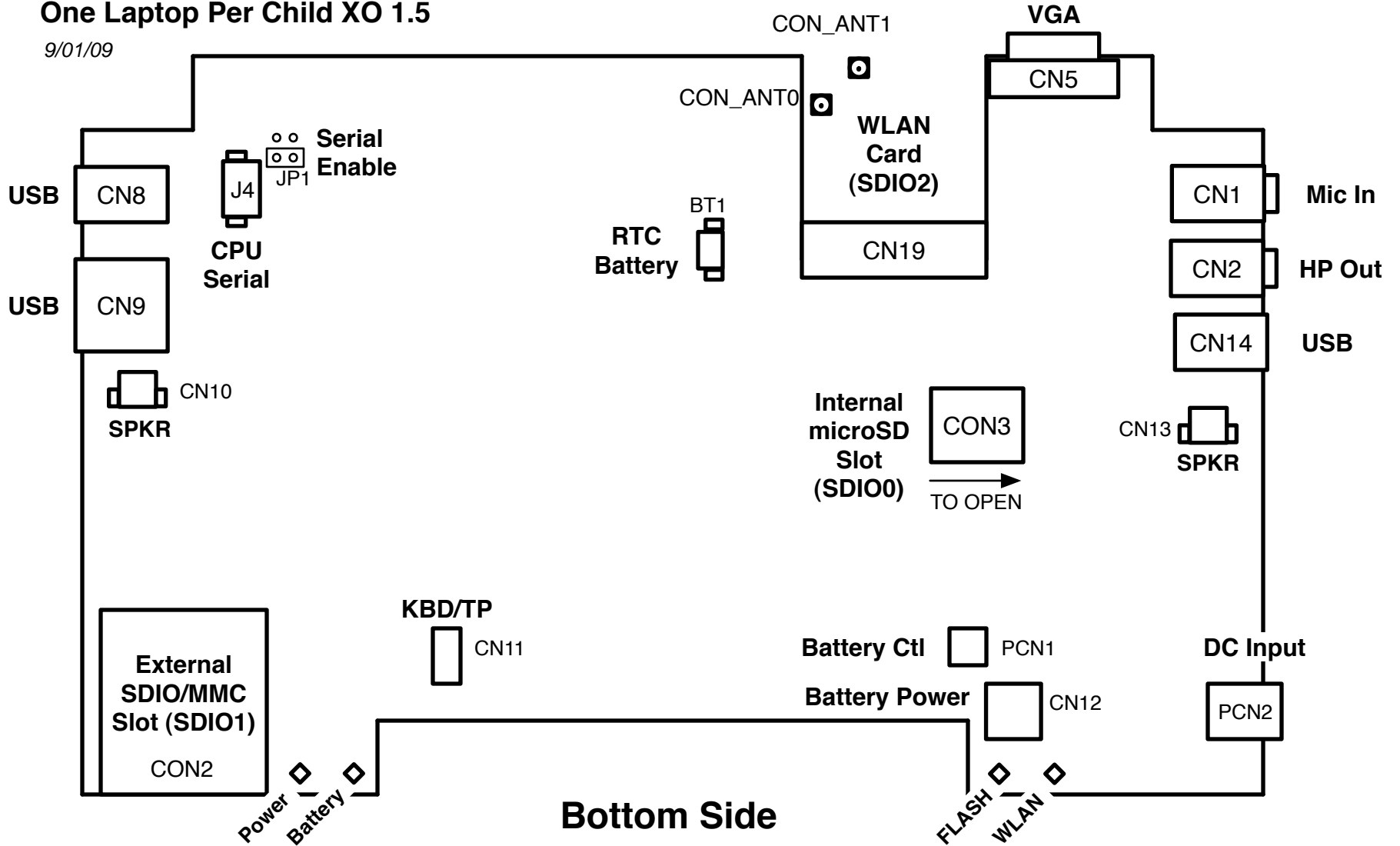


# Connectors and Jumpers One Laptop Per Child XO 1.5

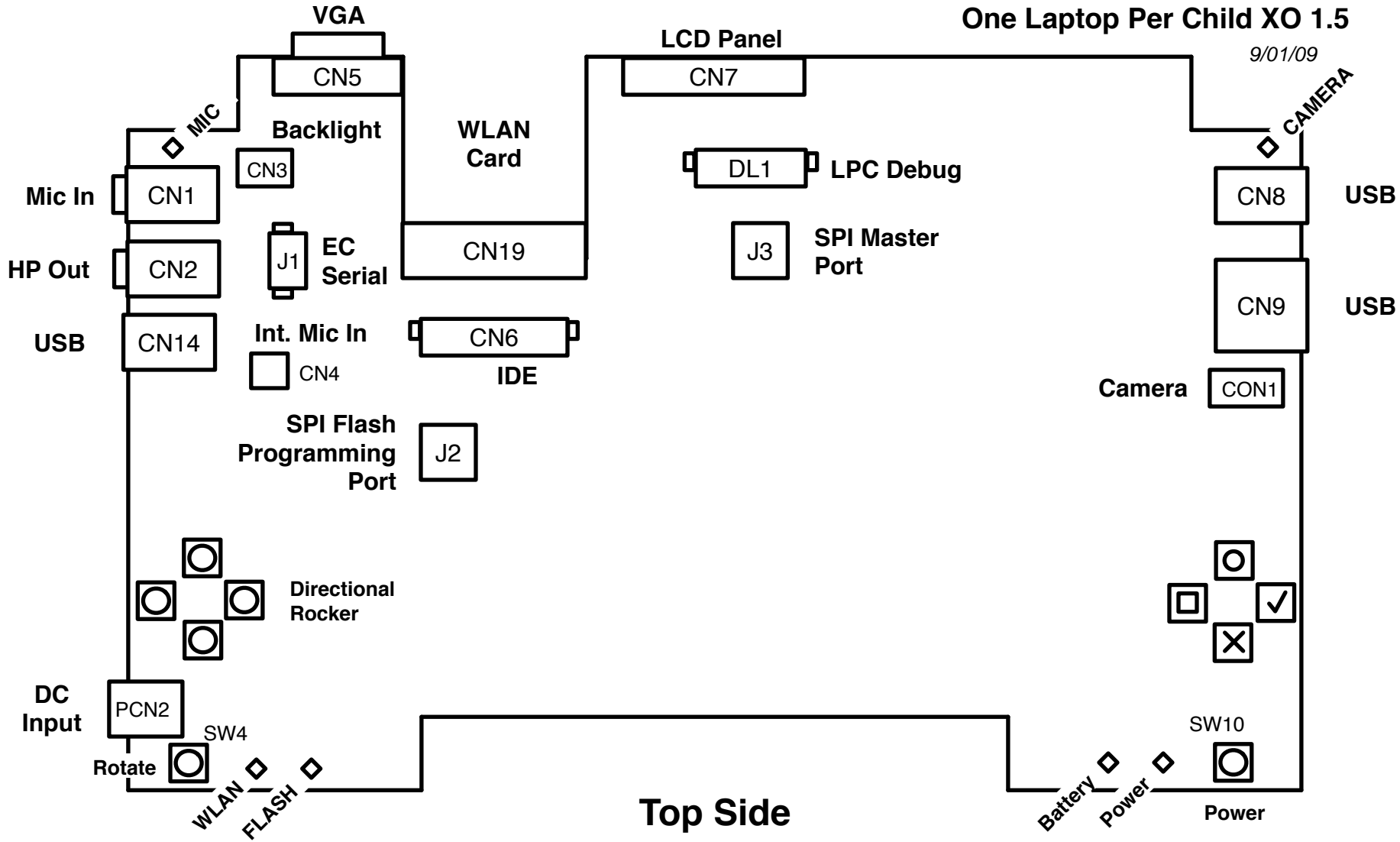
9/01/09



**B2-phase (NOT PRODUCTION)**

# Connectors and Jumpers One Laptop Per Child XO 1.5

9/01/09



**B2-phase (NOT PRODUCTION)**