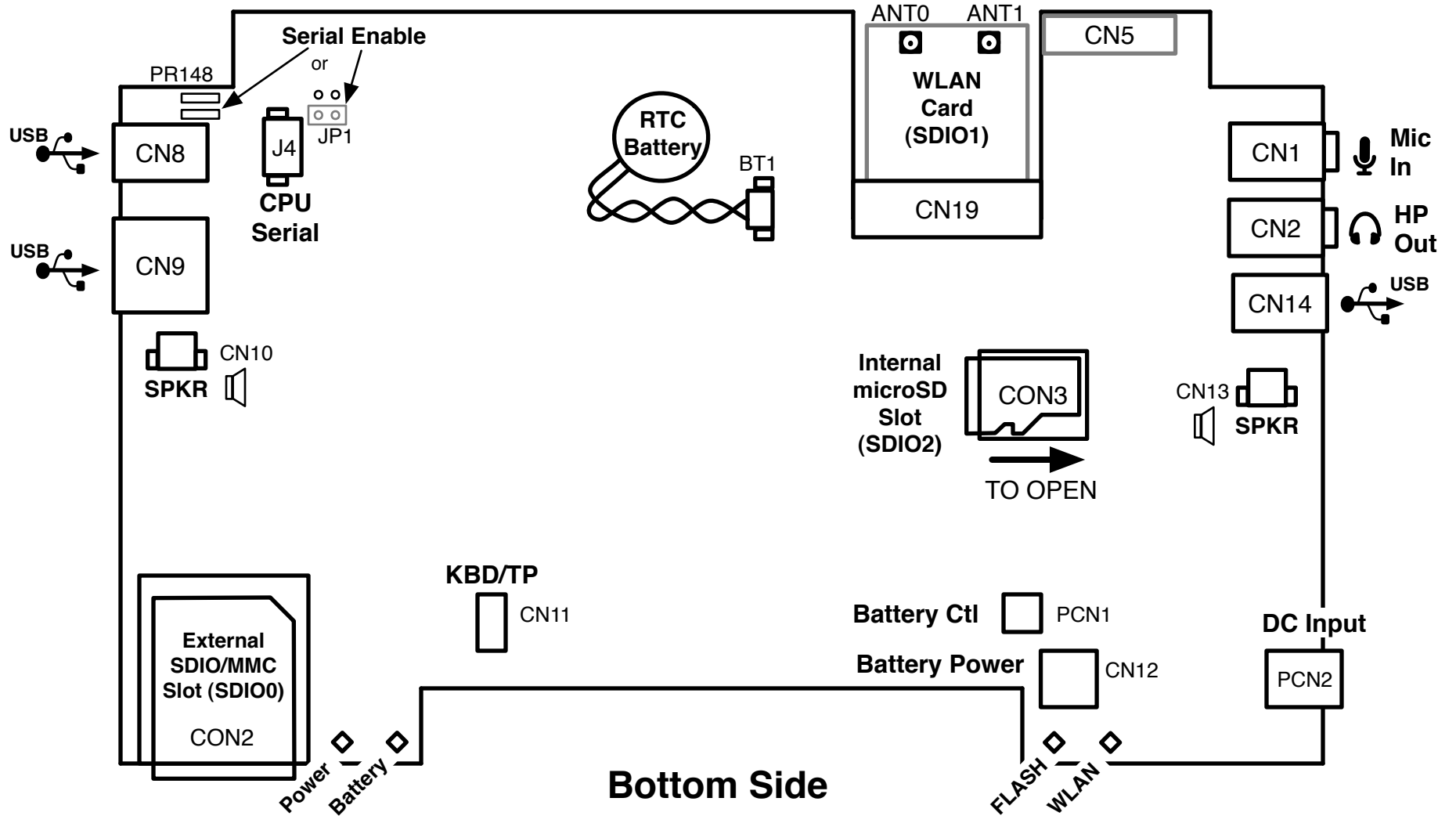


# Connectors and Jumpers

## One Laptop Per Child XO 1.5

01/10/10



# Connectors and Jumpers One Laptop Per Child XO 1.5

1/10/10

