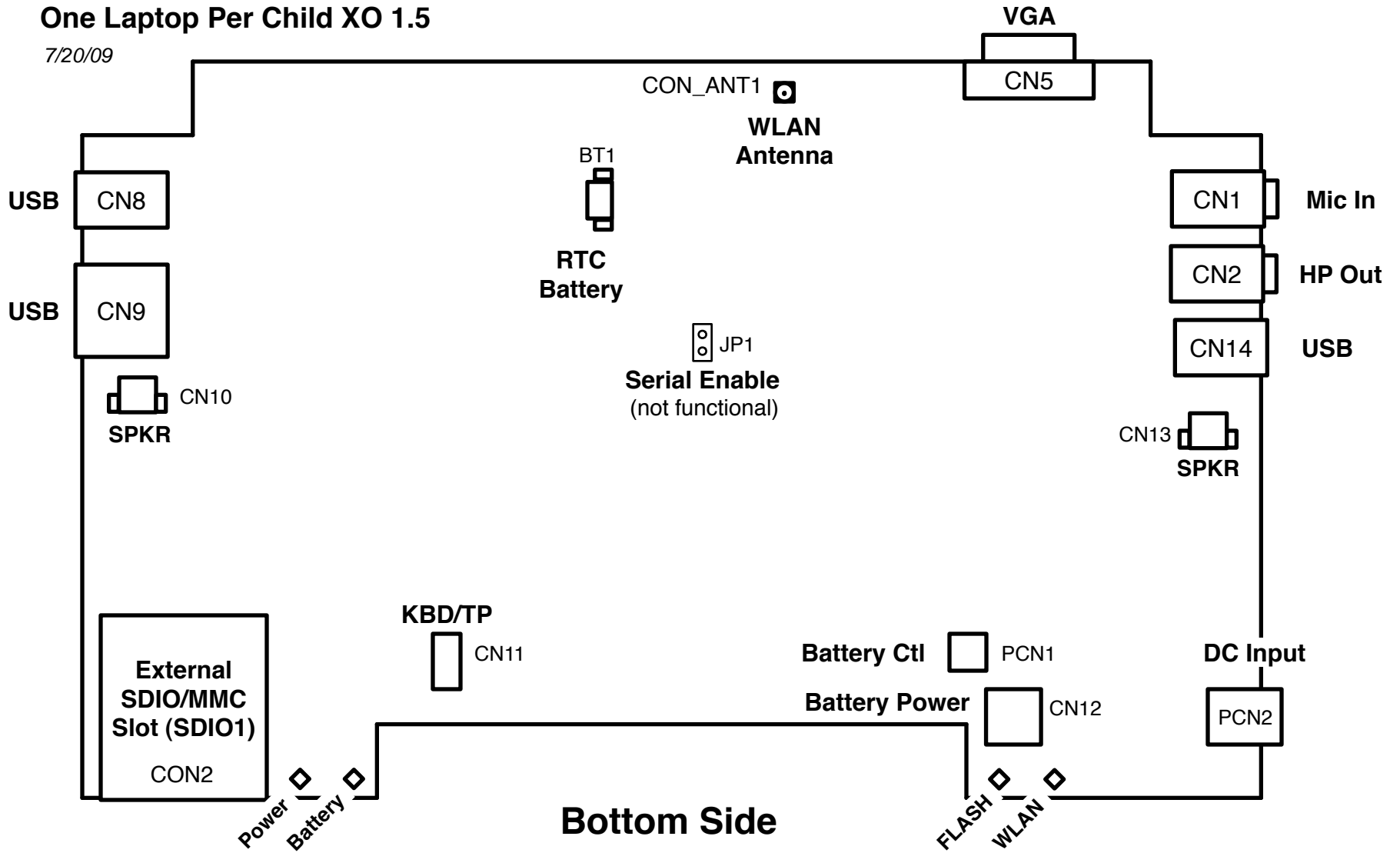


Connectors and Jumpers One Laptop Per Child XO 1.5

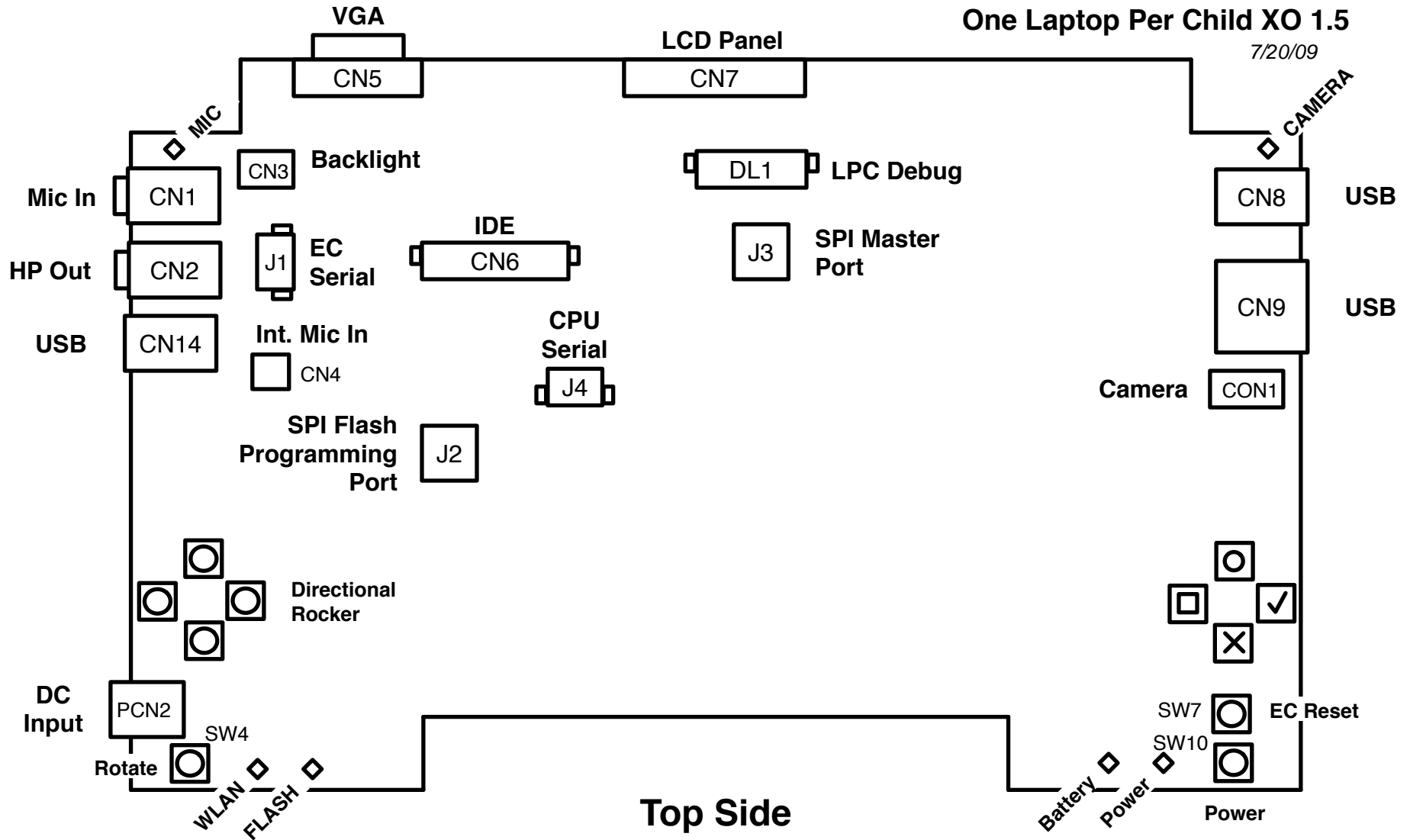
7/20/09



A2-phase (NOT PRODUCTION)

Connectors and Jumpers One Laptop Per Child XO 1.5

7/20/09



A2-phase (NOT PRODUCTION)